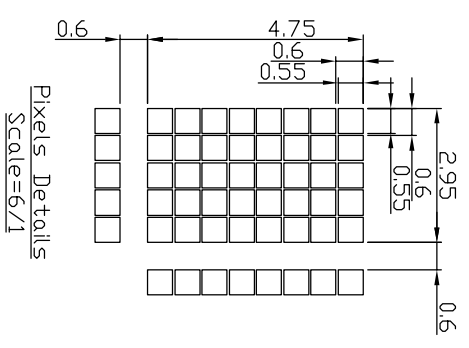
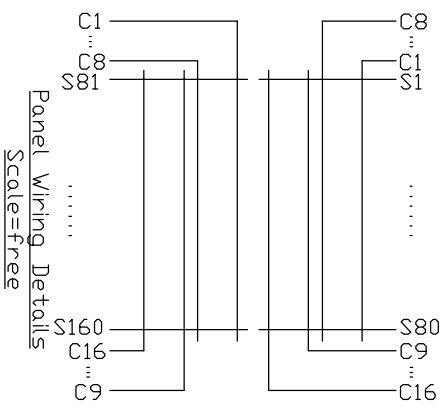
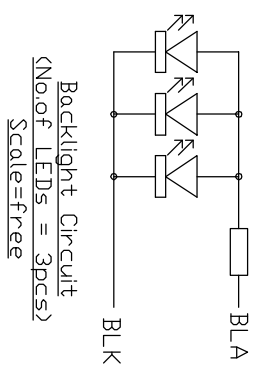
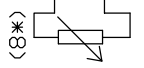


Terminal No.	Pin Name
1	VSS
2	VDD
3	V0
4	RS
5	R/W
6	E
7	DB0
8	DB1
9	DB2
10	DB3
11	DB4
12	DB5
13	DB6
14	DB7
15	BLA
16	BLK



- Note:
- \*1. LCD Display Type : STN-Blue, Negative, Transmissive
  - \*2. Viewing Direction : 6H
  - \*3. Duty : 1/16, Bias : 1/5
  - \*4. Operating Voltage : 5.0V
  - \*5. Backlight Color : White
  - \*6. Operating Temperature : -20°C~70°C
  - \*7. Storage Temperature : -30°C~80°C
  - \*8. An external VR(SK) must be connected for Contrast Control.

# HOT DISPLAY

Dwg Title		HTM1604BNSBH6MLWN Outline Dwg	
Dwg No.	1011041052	Date	2010-11-04
Scale	6/5	Unit	mm
Scale	±0.5	Tol.	±0.5
Drawn	Andy!	Checked	Approved